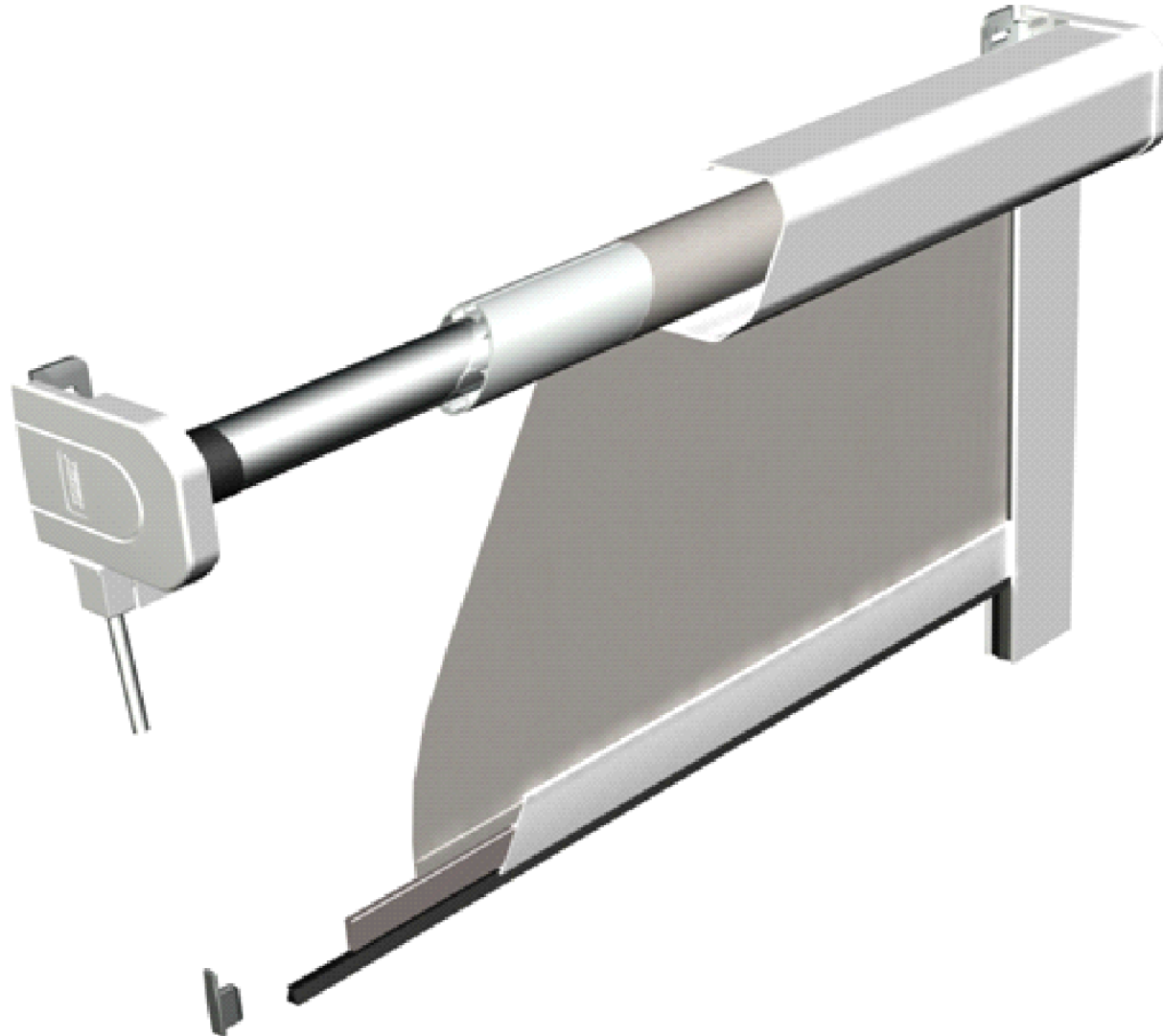
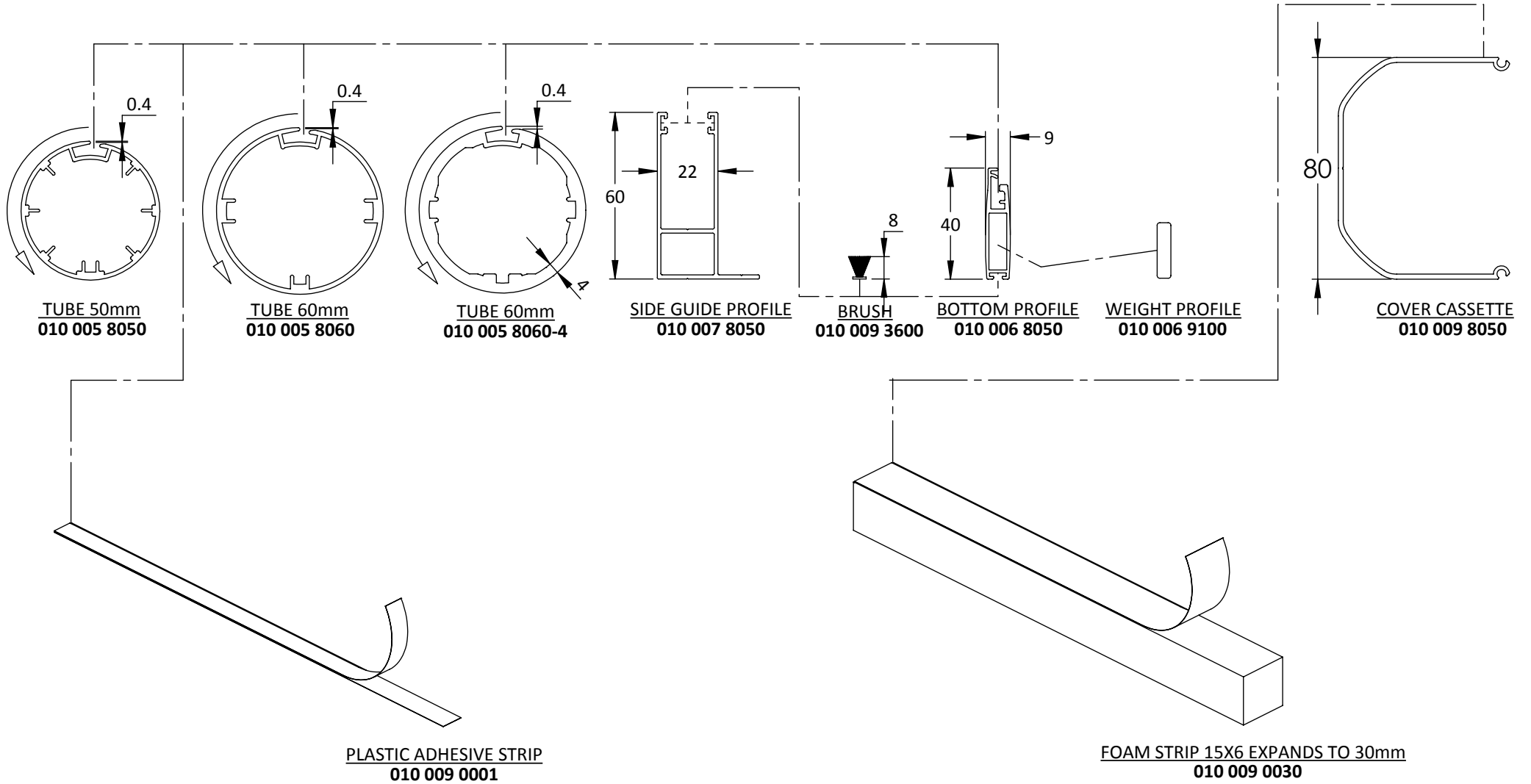


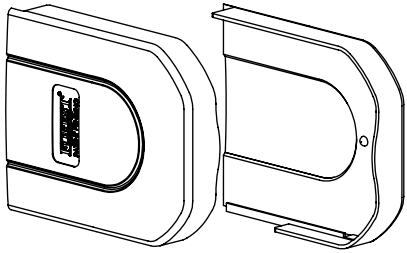
***ATLANTIS ROLLER BLIND OPEN-SYSTEM  
PROFILE, PART AND SPECIFICATION INFORMATION***



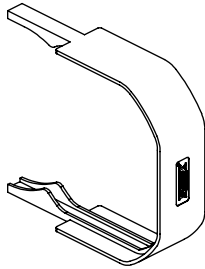
# PROFILE-INFORMATION OPEN-SYSTEM



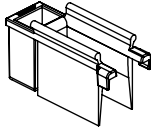
# PART-INFORMATION OPEN-SYSTEM



BRACKET ENDCAP L & R (SET)  
010 005 1000



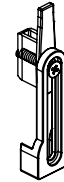
MIDDLE BRACKET COVER  
010 005 1001



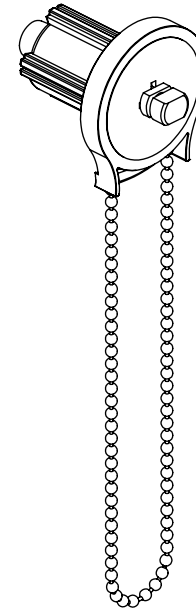
ENDCAP GUIDE PROFILE  
010 007 1000



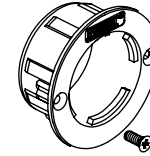
ENDCAP BOTTOM PROFILE  
010 006 1000



BOTTOM WEIGHT BLOCKING  
010 007 1001

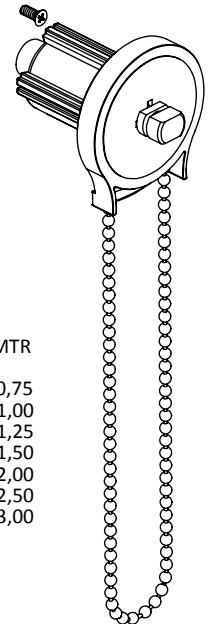


CHAIN CONTROL 50mm  
010 600 1012

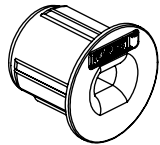


**METAL CHAIN**

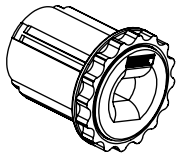
367 000 3100	ROL 150 MTR
367 000 7150	ENDLESS 0,75
367 000 7200	1,00
367 000 7250	1,25
367 000 7300	1,50
367 000 7350	2,00
367 000 7400	2,50
367 000 7450	3,00



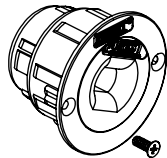
CHAIN CONTROL 60mm  
010 600 1013



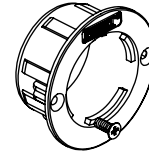
CONNECTOR IDLER 50mm  
010 005 8052



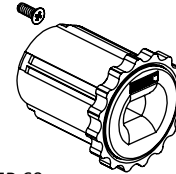
ADJUSTABLE IDLER 50mm  
010 005 8053



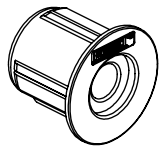
CONNECTOR IDLER 60mm  
010 005 8062



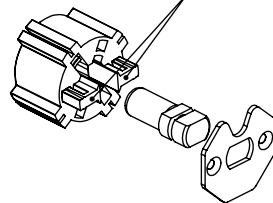
ADJUSTABLE IDLER 60mm  
010 005 8064



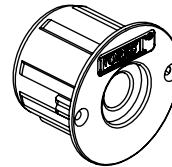
CROWN SOMFY SONESSE  
010 005 8056



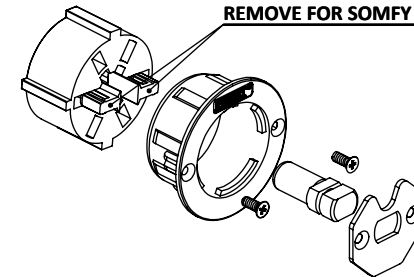
IDLER 50mm  
010 005 8051



MOTOR ADAPTOR 50mm  
010 005 8055-S



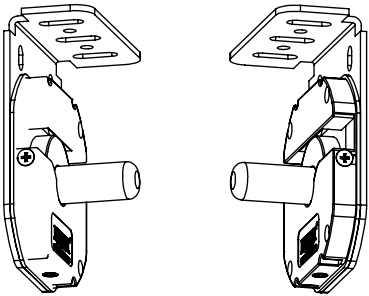
IDLER 60mm  
010 005 8061



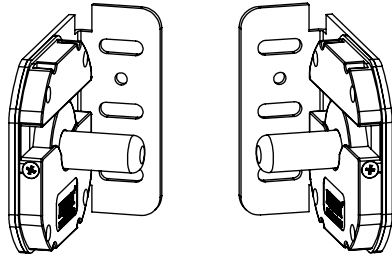
MOTOR ADAPTOR 60mm  
010 005 8065

**BRACKETS CAN BE CHANGED INTO ANY POSITION: WALL / CEILING - LEFT / RIGHT**

**STANDARD CEILING BRACKET  
LEFT & RIGHT**

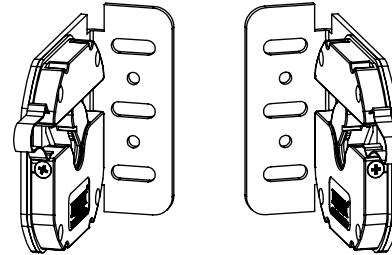


**STANDARD WALL BRACKET  
LEFT & RIGHT**

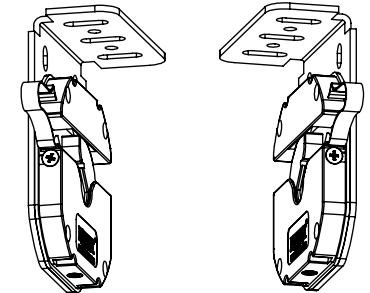


**IDLER CEILING & WALL BRACKET ADJUSTABLE  
010 005 1017**

**STANDARD WALL BRACKET  
LEFT & RIGHT**

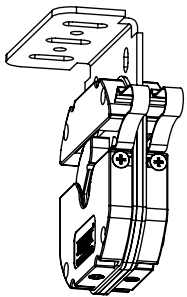


**STANDARD CEILING BRACKET  
LEFT & RIGHT**



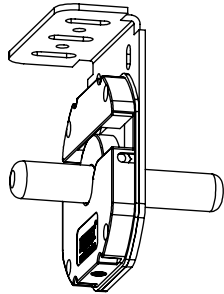
**MOTOR CEILING & WALL BRACKET ADJUSTABLE  
010 005 1010**

**STANDARD CEILING RIGHT**



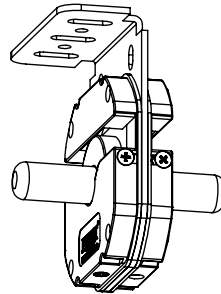
**MIDDLE MOTOR  
BRACKET ADJUSTABLE  
010 005 1011**

**STANDARD CEILING RIGHT**



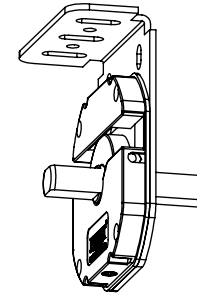
**MIDDLE IDLER  
BRACKET ADJUSTABLE  
010 005 1018**

**STANDARD CEILING RIGHT**



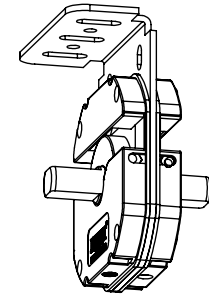
**CASSETTE MIDDLE IDLER  
BRACKET ADJUSTABLE  
010 005 1019**

**STANDARD CEILING RIGHT**



**MIDDLE CONNECTING  
BRACKET ADJUSTABLE  
010 005 1020**

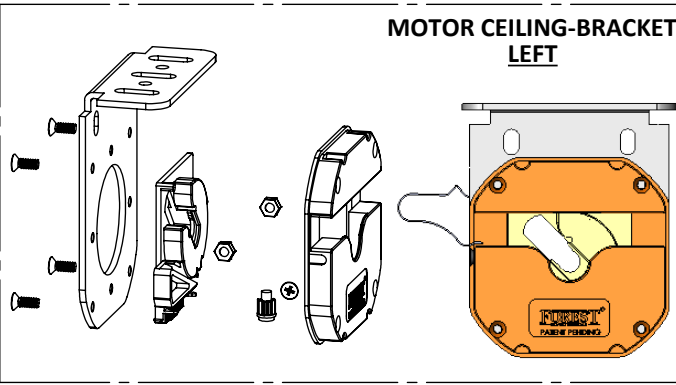
**STANDARD CEILING RIGHT**



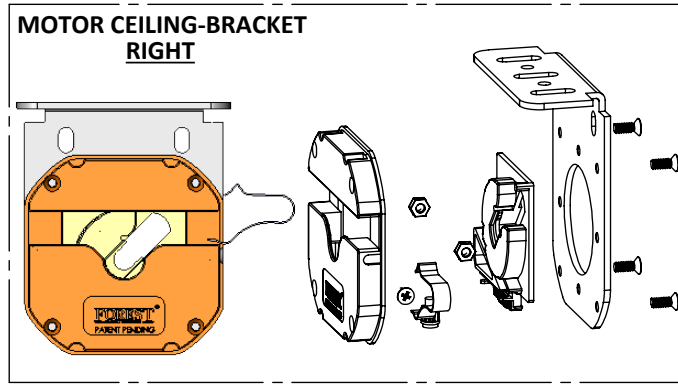
**CASSETTE MIDDLE CONNECTING  
BRACKET ADJUSTABLE  
010 005 1021**

**CHANGE BRACKET INTO: CEILING - LEFT or RIGHT  
WALL - LEFT or RIGHT**

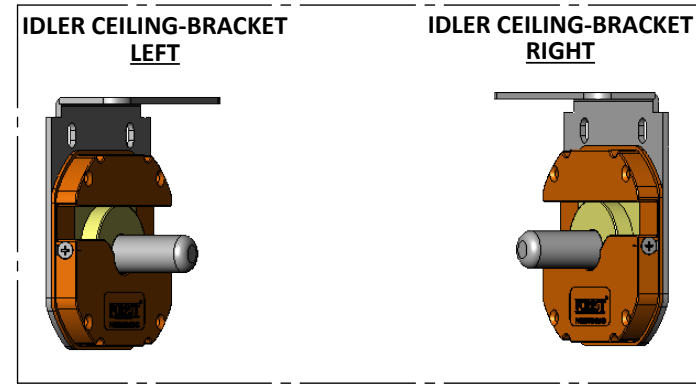
**MOTOR CEILING-BRACKET  
LEFT**



**MOTOR CEILING-BRACKET  
RIGHT**

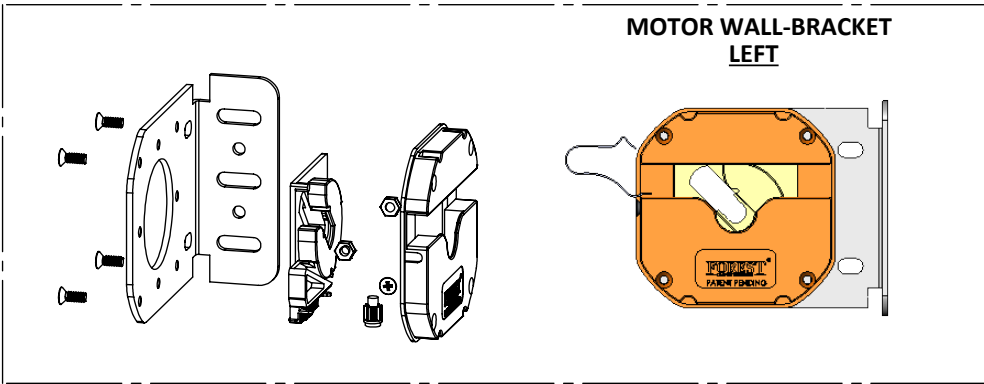


**IDLER CEILING-BRACKET  
LEFT**

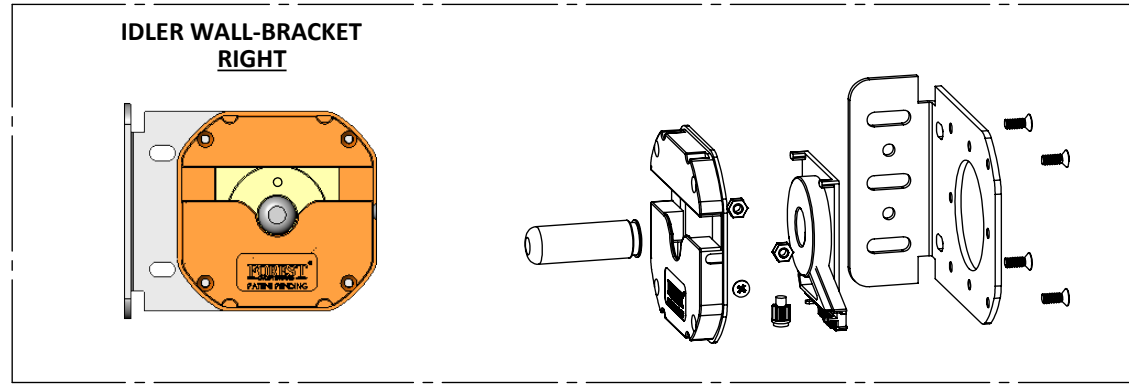


**IDLER CEILING-BRACKET  
RIGHT**

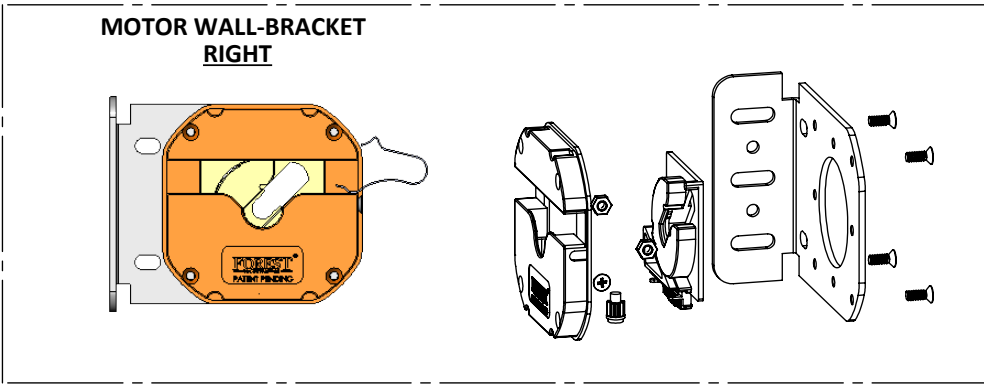
**MOTOR WALL-BRACKET  
LEFT**



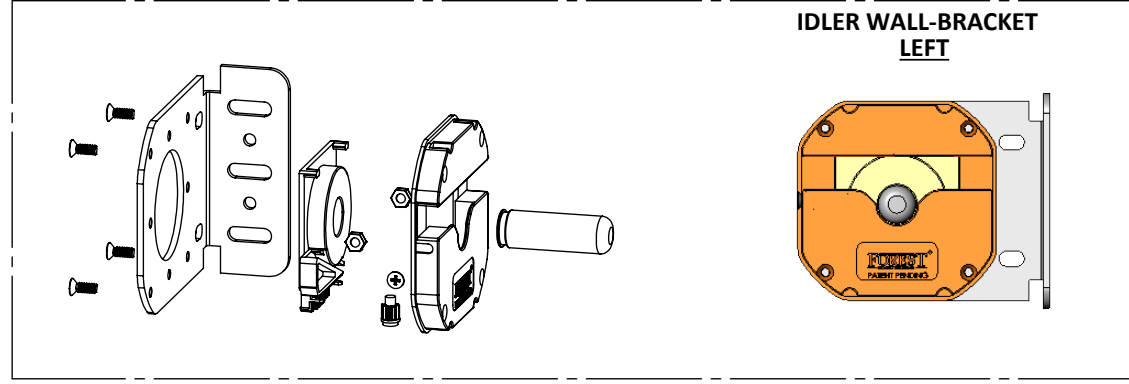
**IDLER WALL-BRACKET  
RIGHT**



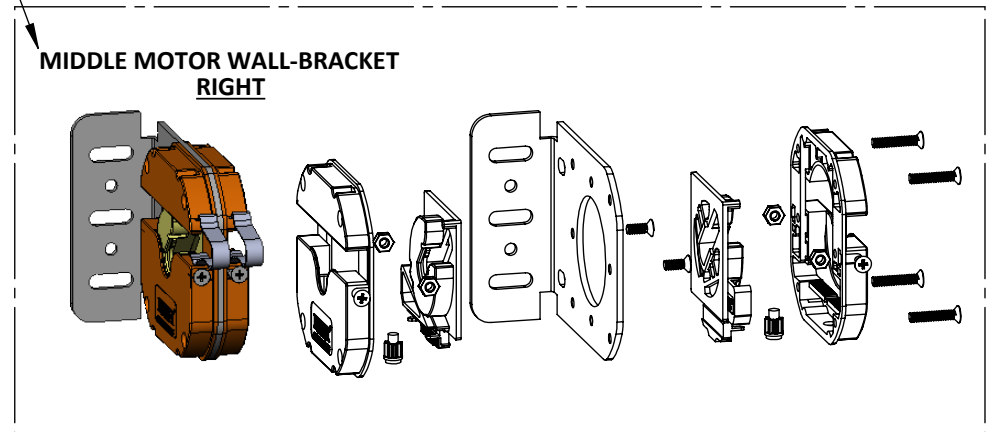
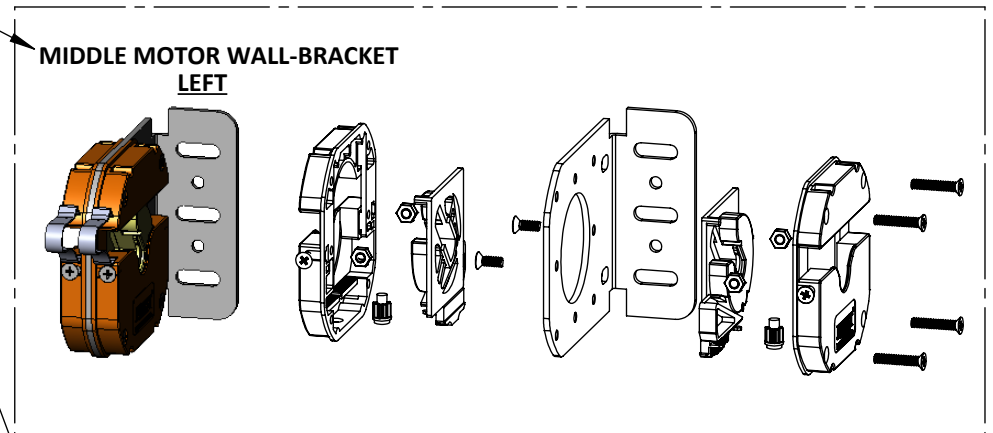
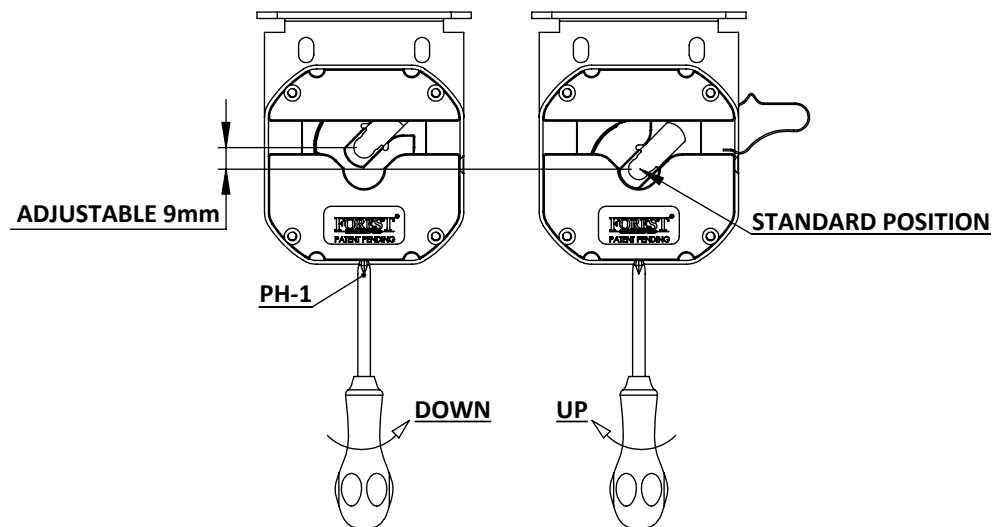
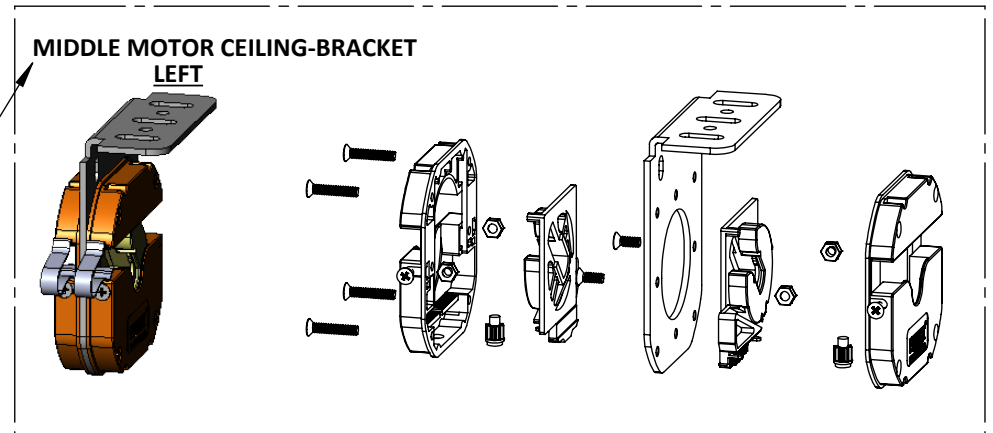
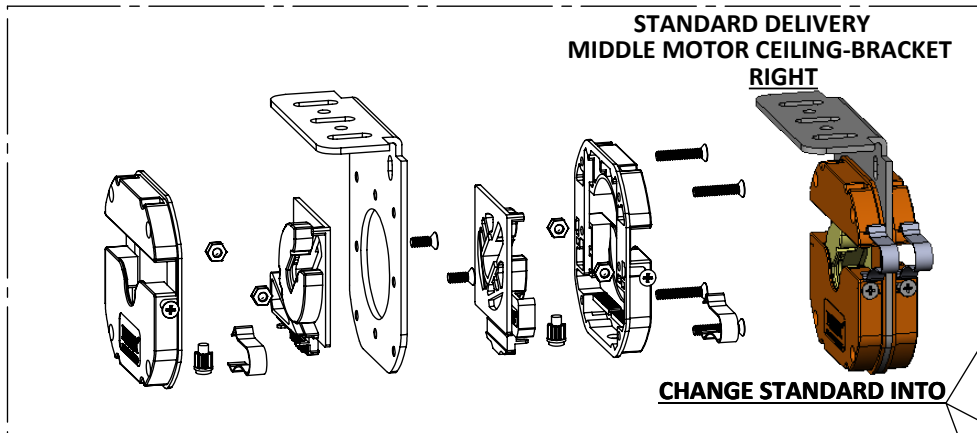
**MOTOR WALL-BRACKET  
RIGHT**



**IDLER WALL-BRACKET  
LEFT**



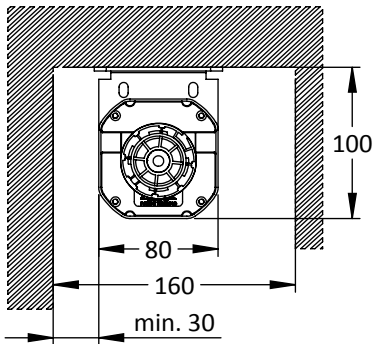
# CHANGE BRACKET INTO: CEILING - LEFT or RIGHT WALL - LEFT or RIGHT



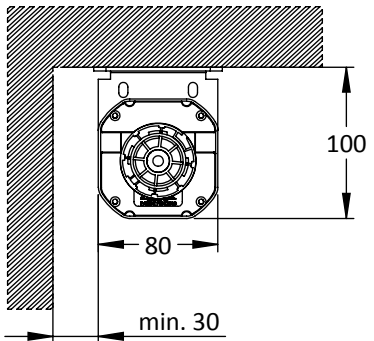
# FITTING OPTIONS

# HOW TO MEASURE OPEN-SYSTEM (MOTORISED & CHAIN-CONTROL)

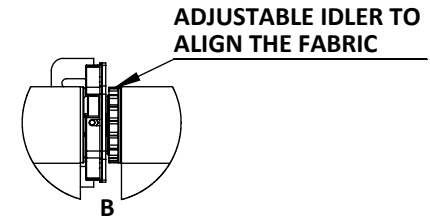
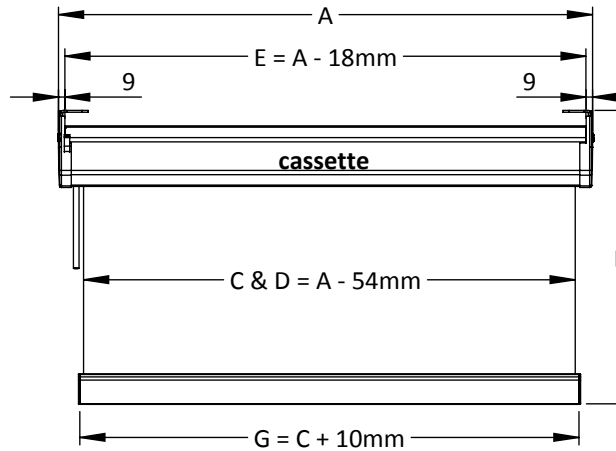
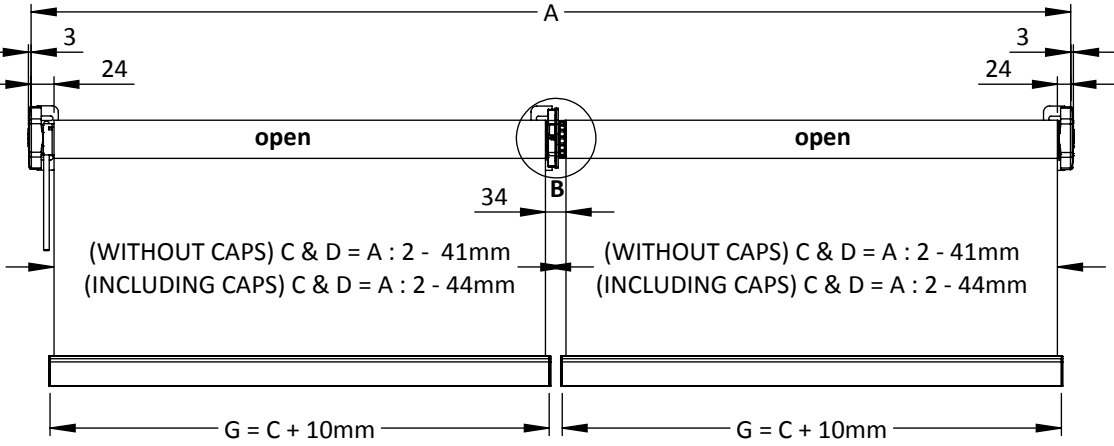
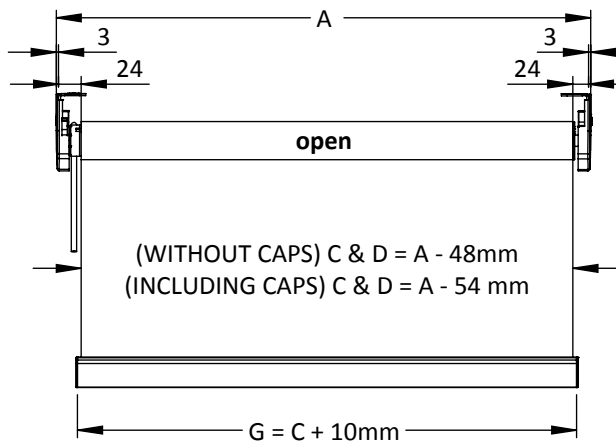
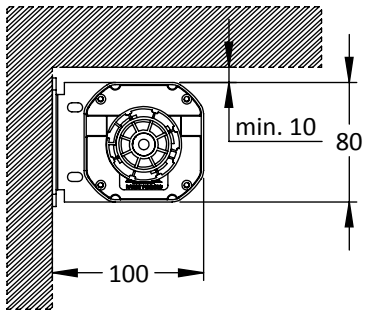
## RECESS FITTING



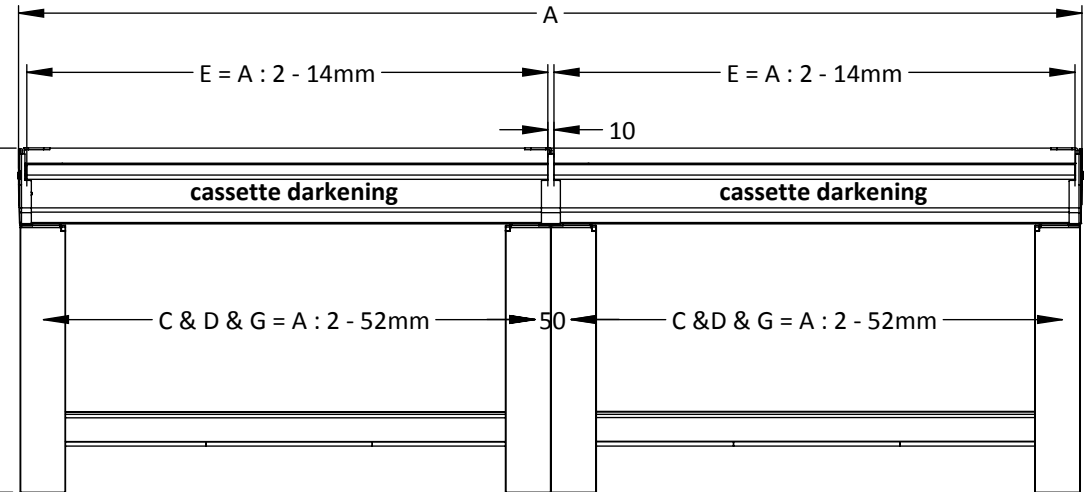
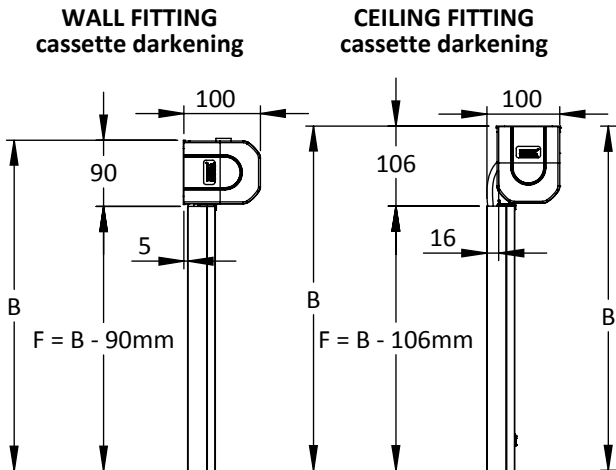
## CEILING FITTING



## WALL FITTING



- A:** SYSTEM WIDTH - WINDOW REVEAL
- B:** SYSTEM DROP - WINDOW REVEAL
- C:** FABRIC WIDTH
- D:** TUBE WIDTH (EXCLUSIVELY IDLER / MOTOR or CHAIN CONTROL)
- E:** CASSETTE COVERCAP
- F:** SIDE GUIDE-PROFILE ( DARKENING )
- G:** BOTTOM-PROFILE



# OPERATION : CHAIN OR MOTORISED for TUBE 50 & 60mm

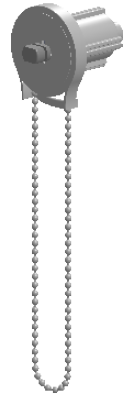
## MOTORISATION - STANDARD - OR - WITH INTERNAL RF RECEIVER AND ELECTRONIC LIMIT SETTING

ROLL UP DIRECTION

HEIGHT DIFFERENCE 0,40mm

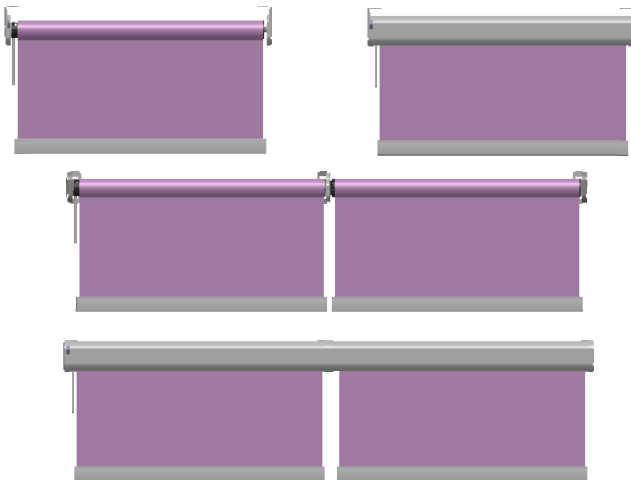


### CHAIN CONTROL 1:2



MOTOR CODE	Nm	RPM	VOLT	INT.REC	KG / TUBE 50	KG / TUBE 60	MIN WIDTH BLIND	MAX WIDTH TUBE 50	MAX WIDTH TUBE 60
341 660 0012	6	28	230		15	12	57 cm	250 cm	300 cm
341 660 0016	13	14	230		20	17	57 cm		
341 660 0110	3	28	230	•	7	5	67 cm		
341 660 0112	6	28	230	•	15	12	67 cm		
341 660 0116	13	14	230	•	20	17	67 cm		
341 660 0013	6	33	115		15	12	57 cm		
341 660 0014	13	15	115		20	17	57 cm		
Q-341 660 0017	6	20	230		15	12	57 cm		
Q-341 660 0117	6	20	230	•	15	12	67 cm		

## ROLLER BLIND - SYSTEM INFORMATION



FABRIC 0,3 mm	MAX. HEIGHT	MAX. M <sup>2</sup>	CONNECTED BLINDS	MAX.
TUBE 50 CEILING FIT.	900 cm	20	TUBE 50 CEILING FIT.	20 M <sup>2</sup>
TUBE 50 WALL FIT.	700 cm		TUBE 50 WALL FIT.	WIDTH 450 CM
TUBE 50 + CASSETTE	550 cm		TUBE 50 + CASSETTE	

TUBE 60 CEILING FIT.	800 cm	20	TUBE 60 CEILING FIT.	20 M <sup>2</sup>
TUBE 60 WALL FIT.	600 cm		TUBE 60 WALL FIT.	WIDTH 600 CM
TUBE 60 + CASSETTE	400 cm		TUBE 60 + CASSETTE	



# SINGLE FOR TUBE 50 & 60mm CEILING FITTING

System **A**: Single open

System **B**: Single with cover cassette

System **C**: Single darkening

**1** = 010 005 1010

**2** = 341 660 0012 - 13 - 14 - 16 -17 - 110 - 112 - 116-117

**3** = 010 005 8050 -or- 60

**4** = 010 005 8051 -or- 61

**5** = 010 005 1017

**6** = 010 005 1000 L & R (SET)

**7** = 010 006 1000 -or- **23** = 010 007 1001

**8** = 010 006 8050

**9** = 010 009 0001

**10** = 010 009 8050

**11** = 010 007 8050

**12** = 010 009 3600

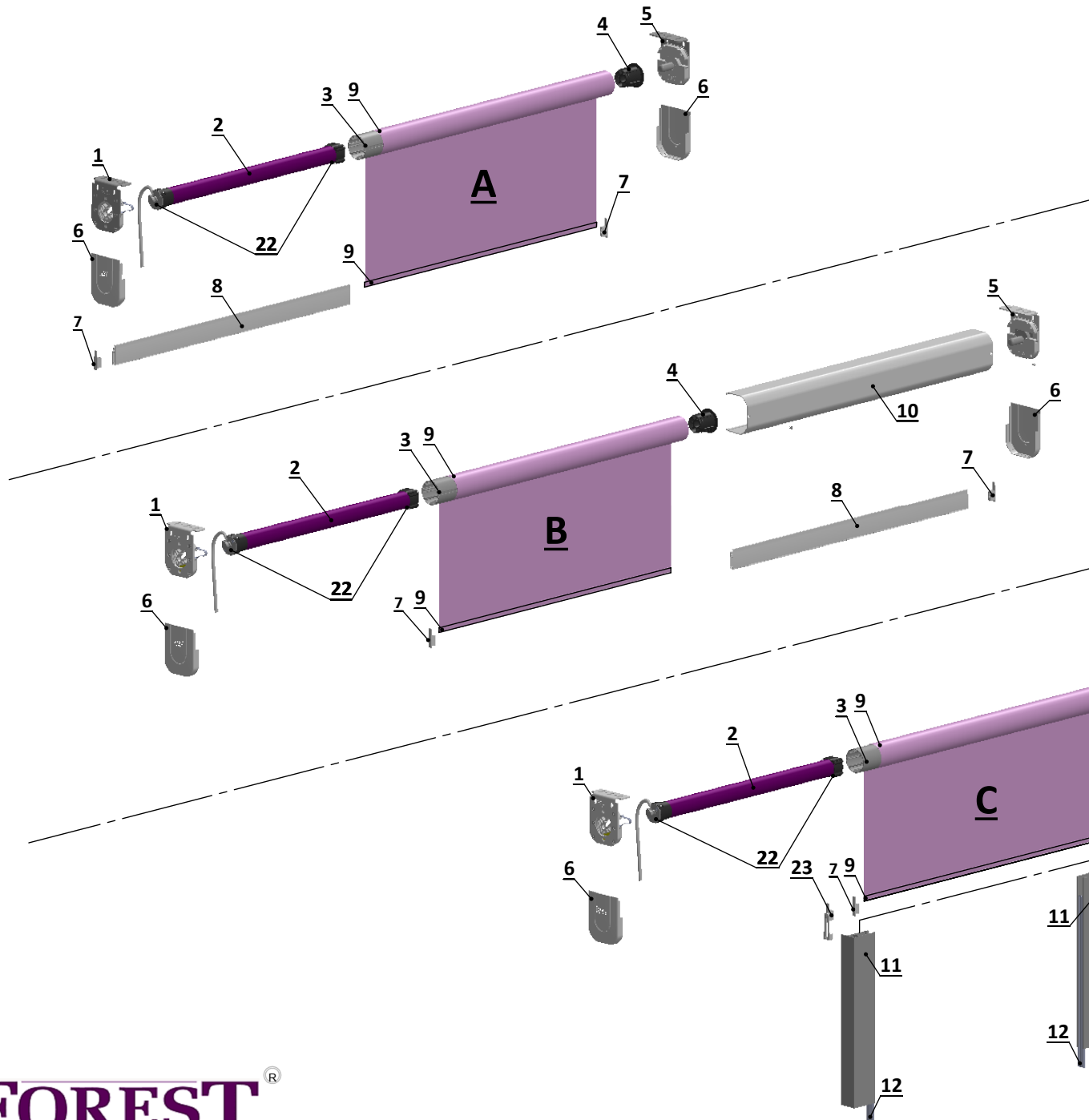
**13** = 010 006 9100

**14** = 010 007 1000

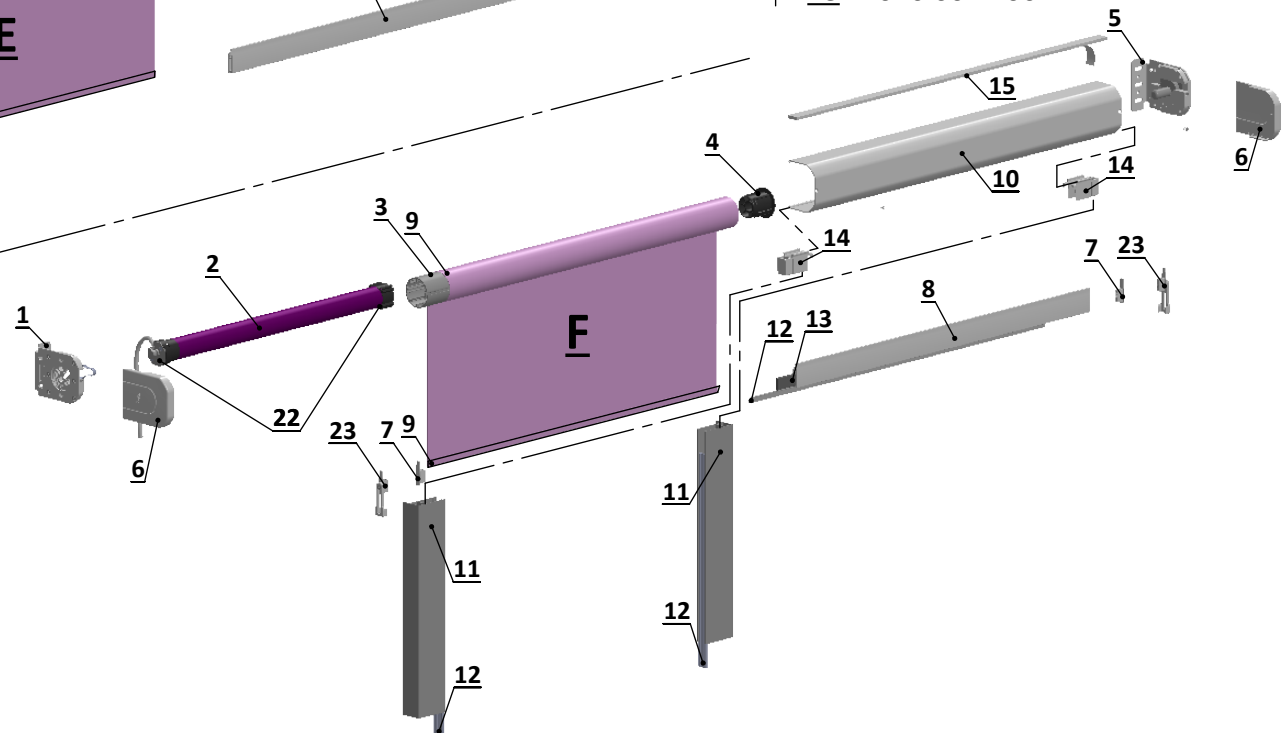
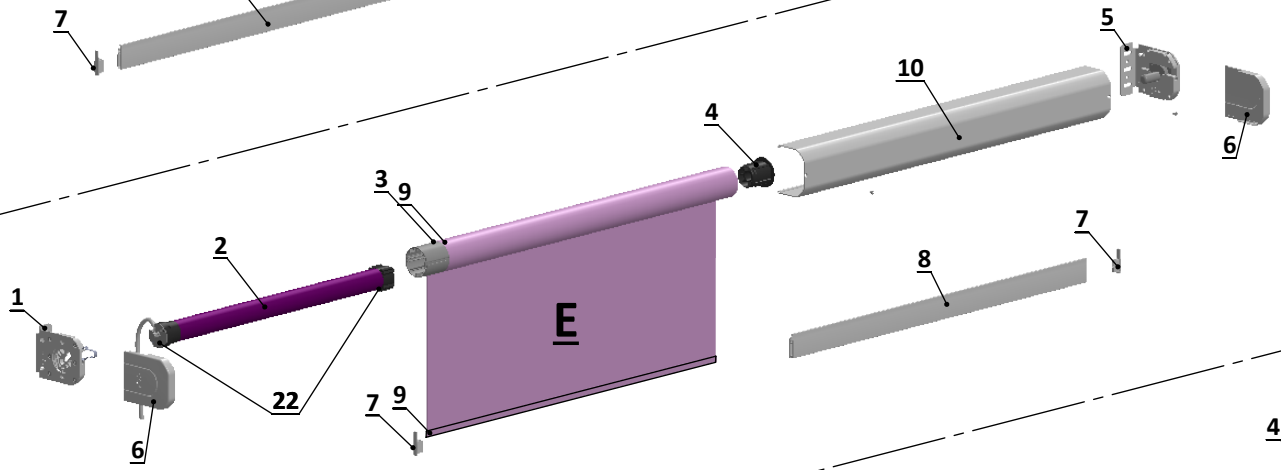
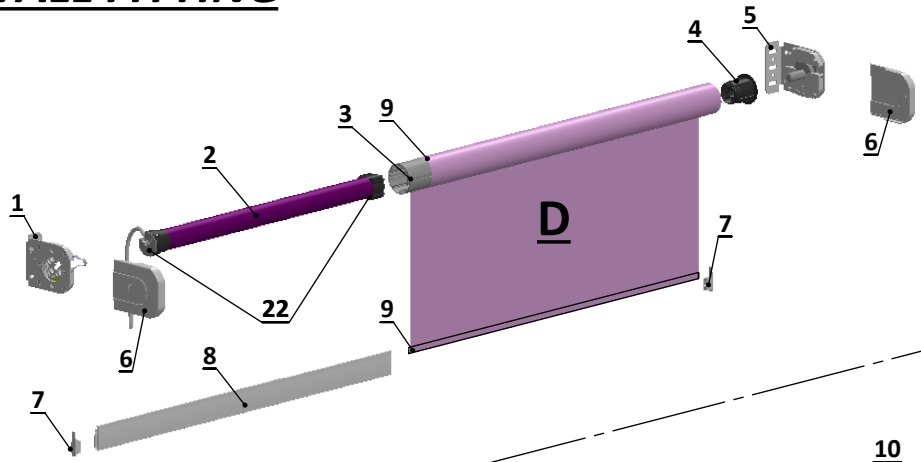
**15** = 010 009 0030

**22** = 010 005 8055 -or- 65

**23** = 010 007 1001



# SINGLE FOR TUBE 50 & 60mm WALL FITTING



System **D**: Single open

System **E**: Single with cover cassette

System **F**: Single darkening

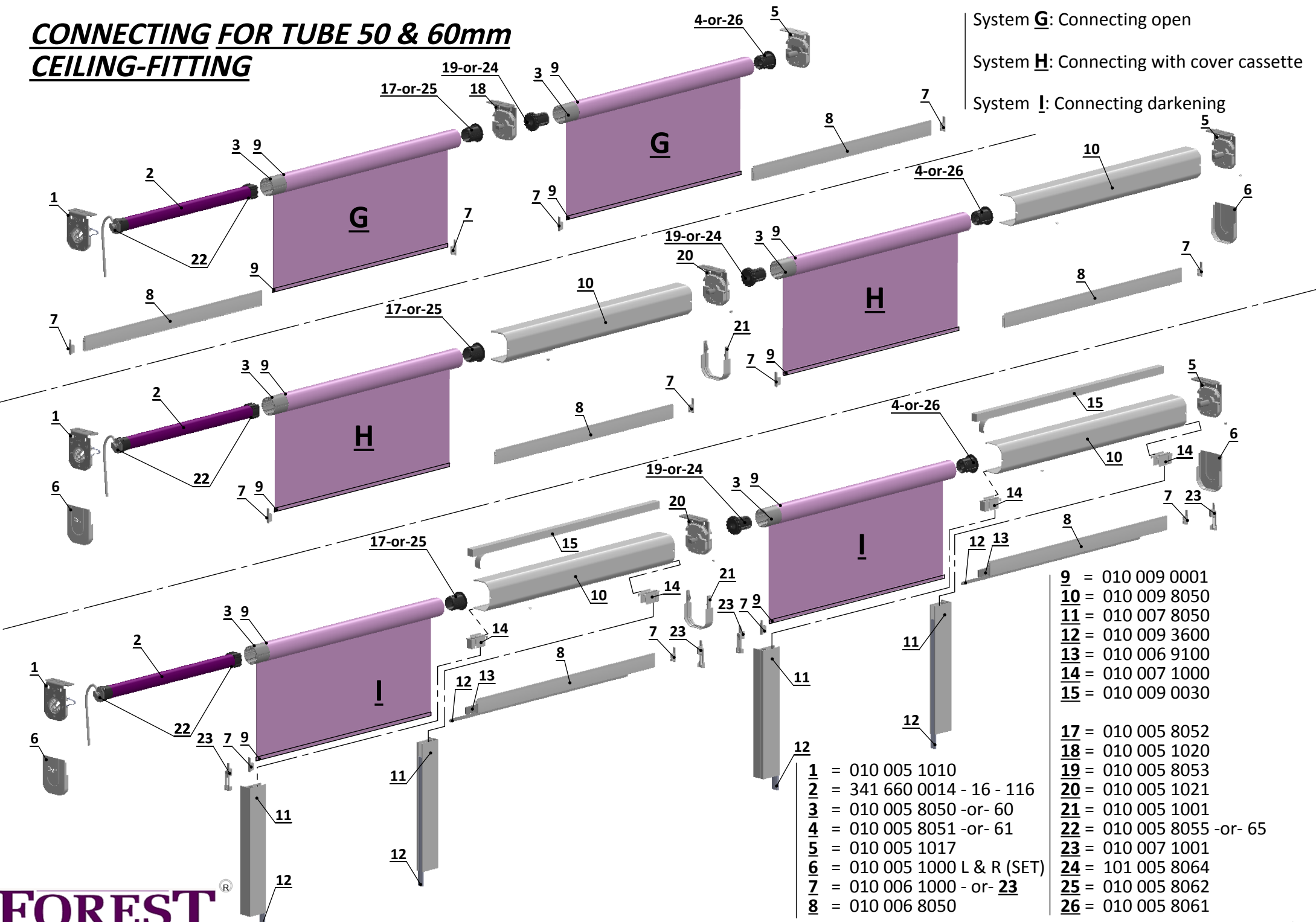
- 1** = 010 005 1010
- 2** = 341 660 0012 - 13 - 14 - 16 - 17 - 110 - 112 - 116 - 117
- 3** = 010 005 8050 -or- 60
- 4** = 010 005 8051 -or- 61
- 5** = 010 005 1017
- 6** = 010 005 1000 L & R (SET)
- 7** = 010 006 1000 -or- **23** = 010 007 1001
- 8** = 010 006 8050
- 9** = 010 009 0001
- 10** = 010 009 8050
- 11** = 010 007 8050
- 12** = 010 009 3600
- 13** = 010 006 9100
- 14** = 010 007 1000
- 15** = 010 009 0030
- 22** = 010 005 8055 -or- 65
- 23** = 010 007 1001

# CONNECTING FOR TUBE 50 & 60mm CEILING-FITTING

System **G**: Connecting open

System **H**: Connecting with cover cassette

System **I**: Connecting darkening



- 9** = 010 009 0001
- 10** = 010 009 8050
- 11** = 010 007 8050
- 12** = 010 009 3600
- 13** = 010 006 9100
- 14** = 010 007 1000
- 15** = 010 009 0030

- 17** = 010 005 8052
- 18** = 010 005 1020
- 19** = 010 005 8053
- 20** = 010 005 1021
- 21** = 010 005 1001
- 22** = 010 005 8055 -or- 65
- 23** = 010 007 1001
- 24** = 101 005 8064
- 25** = 010 005 8062
- 26** = 010 005 8061

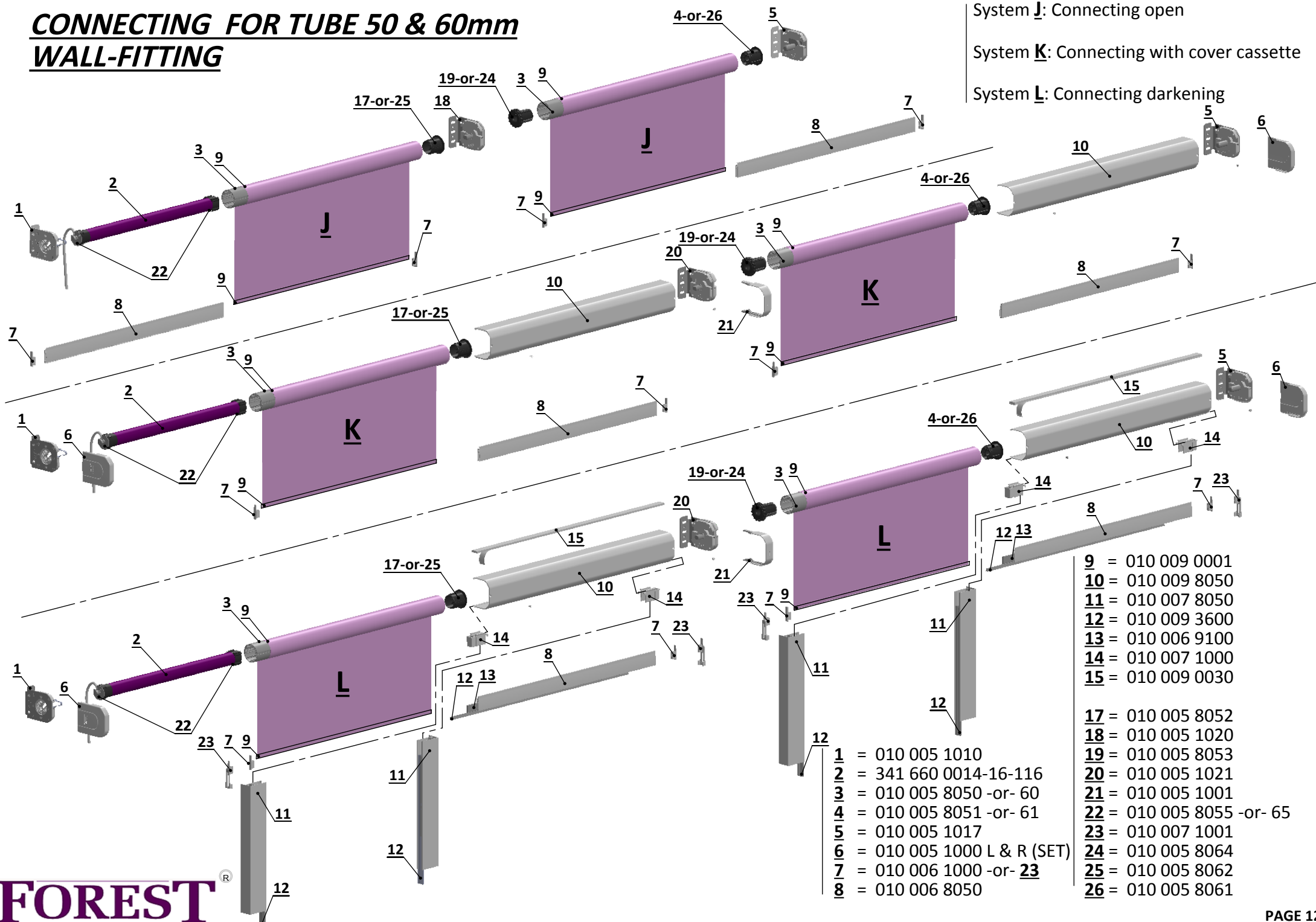
- 1** = 010 005 1010
- 2** = 341 660 0014 - 16 - 116
- 3** = 010 005 8050 -or- 60
- 4** = 010 005 8051 -or- 61
- 5** = 010 005 1017
- 6** = 010 005 1000 L & R (SET)
- 7** = 010 006 1000 - or- **23**
- 8** = 010 006 8050

# CONNECTING FOR TUBE 50 & 60mm WALL-FITTING

System **J**: Connecting open

System **K**: Connecting with cover cassette

System **L**: Connecting darkening



- 1** = 010 005 1010
- 2** = 341 660 0014-16-116
- 3** = 010 005 8050 -or- 60
- 4** = 010 005 8051 -or- 61
- 5** = 010 005 1017
- 6** = 010 005 1000 L & R (SET)
- 7** = 010 006 1000 -or- **23**
- 8** = 010 006 8050
- 9** = 010 009 0001
- 10** = 010 009 8050
- 11** = 010 007 8050
- 12** = 010 009 3600
- 13** = 010 006 9100
- 14** = 010 007 1000
- 15** = 010 009 0030
- 17** = 010 005 8052
- 18** = 010 005 1020
- 19** = 010 005 8053
- 20** = 010 005 1021
- 21** = 010 005 1001
- 22** = 010 005 8055 -or- 65
- 23** = 010 007 1001
- 24** = 010 005 8064
- 25** = 010 005 8062
- 26** = 010 005 8061

# SIDE WIRE GUIDING POSSIBLE FOR ALL BRACKETS ATLANTIS SERIE

**REMOVE THESE SCREWS  
AND DRILL HOLES 4mm in PLASTIC**

**FIT WITH SCREWS**

**COMPELETE SET WIRE GUIDING L&R  
010 009 0022**

