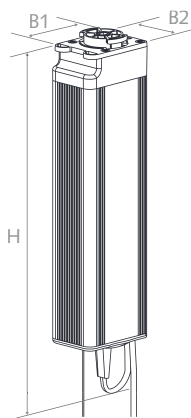
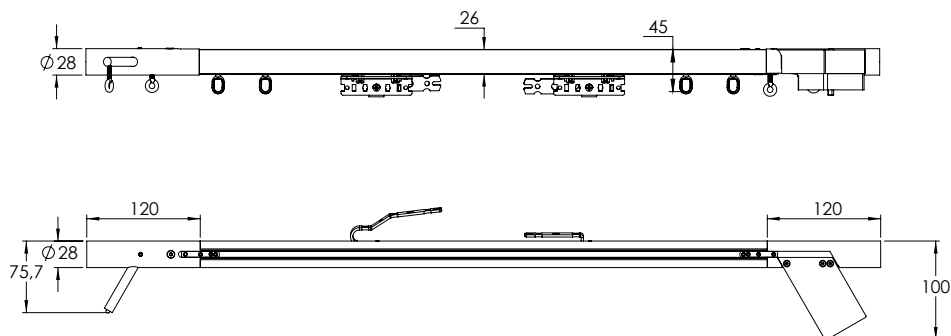
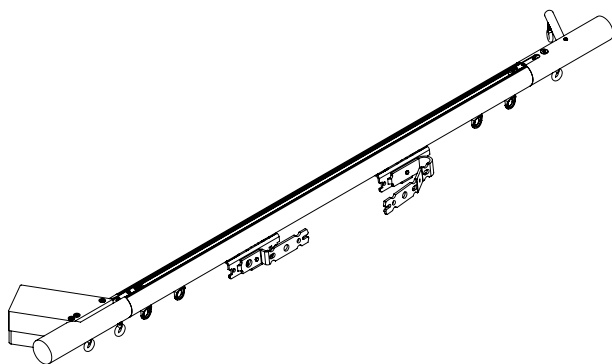


SIZES

MOTORIZED ROD SYSTEM® | MRS®



	H	B1	B2
SHUTTLE S	225 mm	77 mm	49 mm
SHUTTLE M REC	270 mm	77 mm	49 mm
SHUTTLE L	305 mm	77 mm	49 mm



WWW.FORESTGROUP.COM

FOREST
DRAPERY HARDWARE